

4S-E Mobile Offline Oil Filtration System

- Steel construction, powder coated
- 4 microfiltration units SDU-H8 incl. 4 filter elements SDFC
- Filtration performance (average value) 480 l/h (40 cSt)
- For oil quantities up to 5.000 litres
- Self-priming gear pump
- Large pre-filter unit with washable filter bag
- Intelligent PLC control with LCD display
- Automatic pressure regulation
- Overpressure and run-dry protection with automatic switch-off
- Integrated 2 kW pre-heater for filtration of cold / viscous oils
- Filter element change timer
- IP rating: IP 55
- Transfer function - movement of the oil without filtration
- 6m suction and return hose with quick release couplings
- Lifting points



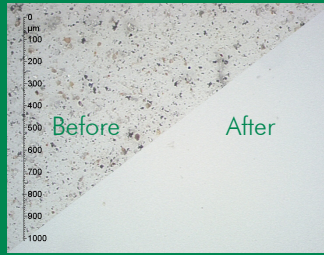
Results

Water Removed



Removes free and dissolved water contamination

Particles Removed



Achievable oil cleanliness / cleanliness class in the ideal case: 13/11/8 (ISO 4406: 1999) Class 2 (NAS 1638) - better than new oil quality levels

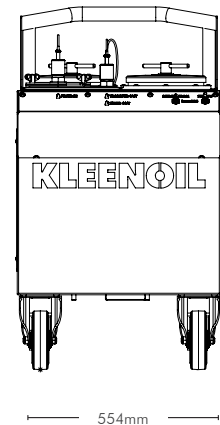
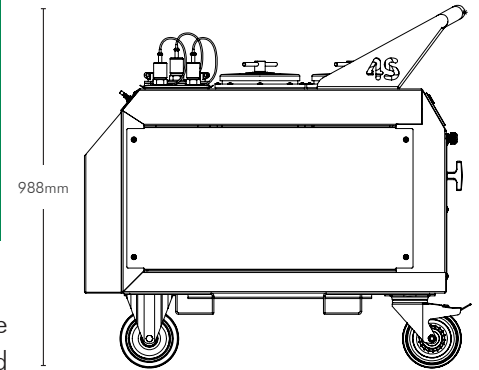
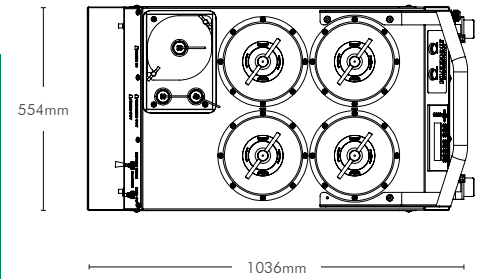
Benefits

- Removes varnish and microparticles down to 1 micron
- Removes free and dissolved water contamination
- Increases system reliability
- Prevents system corrosion (water!)
- Reduces component wear
- Extended oil change intervals; CO₂-reduction
- Reduced operating costs
- Simple oil sample taking

Application Examples

This offline mobile filter system with the SDFC filter elements fitted as standard is suitable for filtration of mineral oil based and/or synthetic, non water-based lubricants and pressure fluids. This filter system is ideal for application in all service-workshops or manufacturing plants such as, e.g.:

- Power generation
- Plastic Moulding
- Cement industry
- Every kind of industry where oils are employed



Type	Recommended Installation	Max. Operating Temp.	IP Rating	Flow rate (average value at < 40 cSt.) l/h	Pump Suction Lift	Voltage/ Motor Performance/ Current Draw	Dimensions (mm)		Weight (kg)	Filter Element Type	Retention Capacity per Element (x4)	
							H	W			Dirt: ≤ 2 kg	Water: ≤ 0.5 l
4S-E	Mobile offline filter system Installation: taking feed and return from hydraulic reservoir/tank. For systems up to 5.000 l.	60°C	IP55	480	Self-priming to 5.5 m	230 V 0,55 KW ≤12.5 Amps	988	554	120	Standard fit: 4 x SDFC (oil based fluids)	≤ 2 kg	≤ 0.5 l
							L					
							1036					

KLEENOIL PANOLIN AG

Schnötring 2-3 79804 Dogern Deutschland
T. +49 7751 8383-0 F. +49 7751 8383-29 E. info@kleenoil.com
www.kleenoilpanolin.com

The specification and photography above is for reference only and may be subject to change.
KLEENOIL is a trademark of the company KLEENOIL PANOLIN AG. © KLEENOIL PANOLIN AG. All rights reserved.

KLEENOIL®
Microfiltration